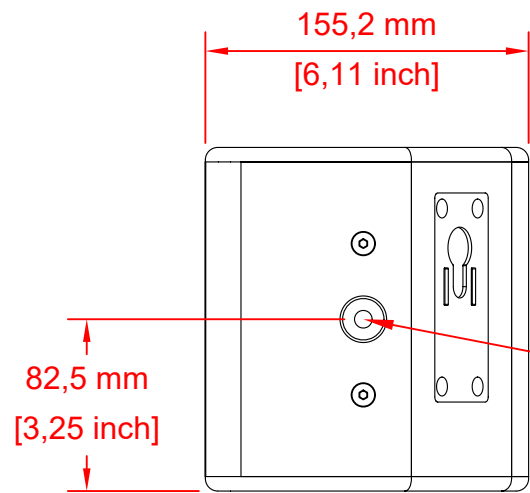
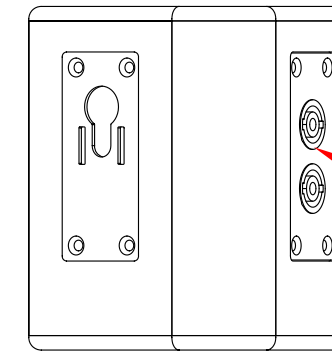


Front



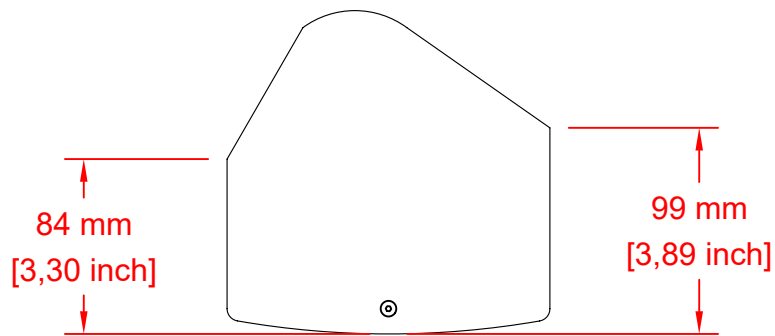
Side

M10 Gewinde
M10 Thread

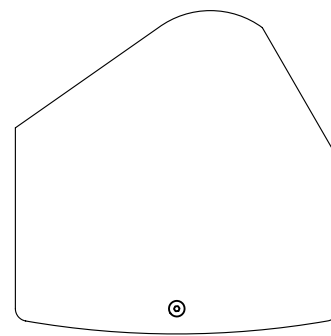


Rear

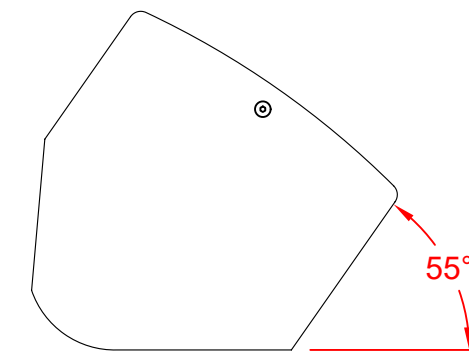
2xNL4 on rear



Top



Bottom



Monitor

Picospot

FILE NAME	picospot.pdf
DATE	21.11.2022
DRAWN BY	M. Kuehn
Rev.	2.0

AD-Systems GmbH & Co. KG
Weseler Straße 94
D-46487 Wesel
www.ad-systems.com
info@ad-systems.com

