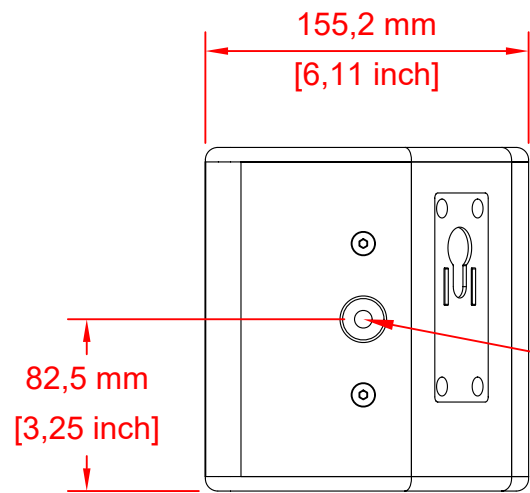
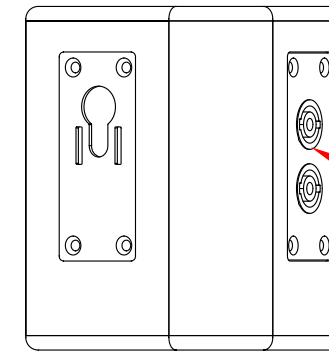


Front



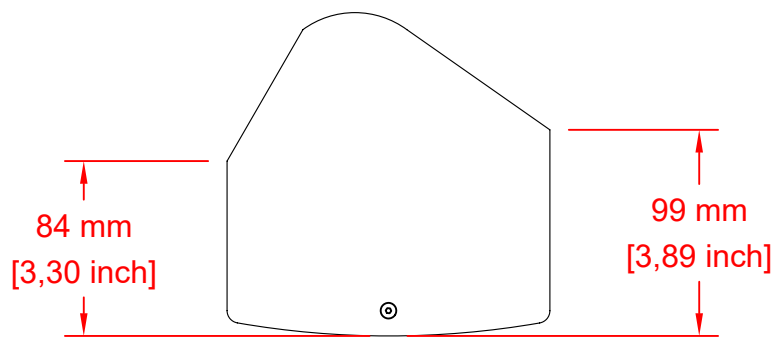
Side

M10 Gewinde  
M10 Thread

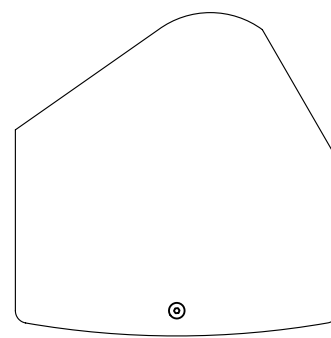


2xNL4 on rear

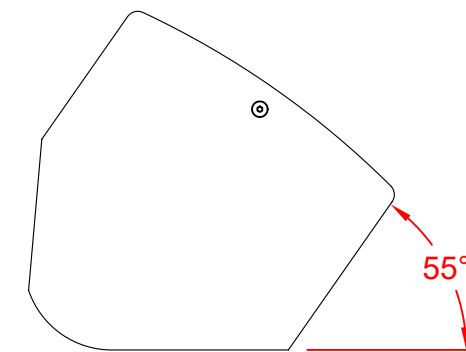
Rear



Top



Bottom



55°

Monitor

# Picospot

FILE NAME	picospot.dwg
DATE	02.11.2011
DRAWN BY	S. Haferkamp
Rev.	1.0

AD-Systems GmbH & Co. KG  
Am Schornacker 11c  
D-46485 Wesel  
www.ad-systems.com  
info@ad-systems.com

