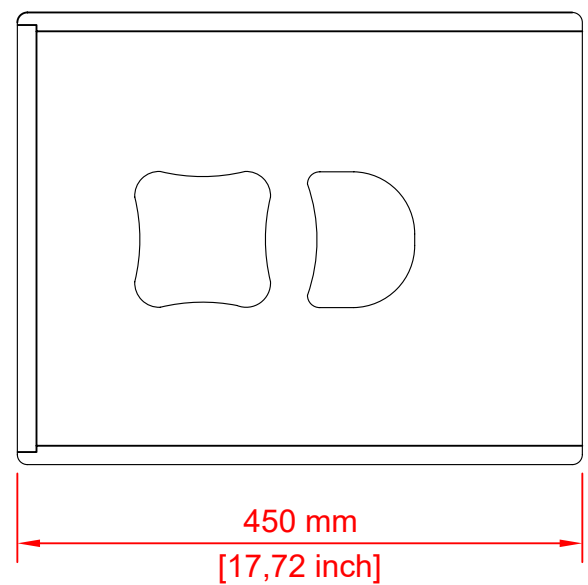
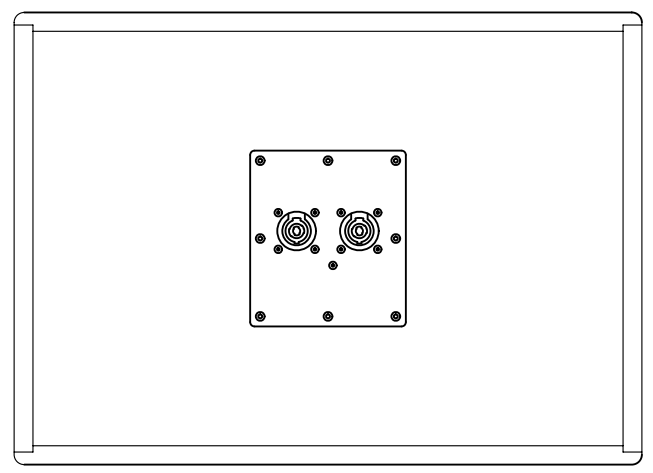


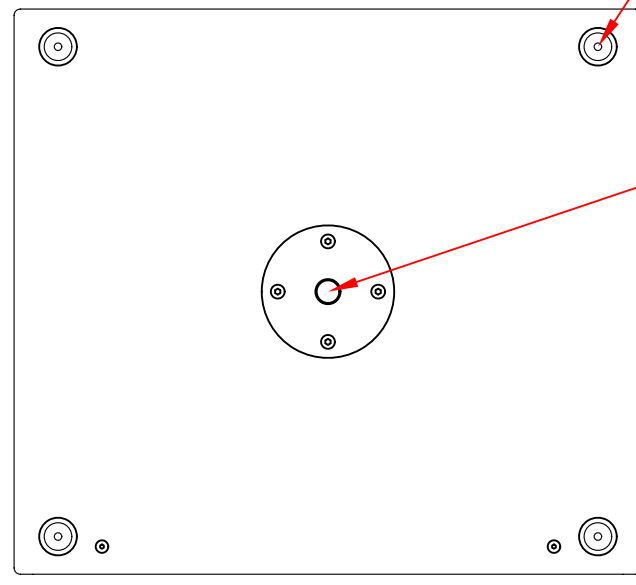
Front



Side



Rear



Top

stacking foot

M20 Gewinde
M20 Polemount

Picosub

FILE NAME	picosub.dwg
DATE	14.08.2010
DRAWN BY	S.Haferkamp
Rev.	1.0

AD-Systems GmbH & Co. KG
Am Schornacker 11c
D-46485 Wesel
www.ad-systems.com
info@ad-systems.com

