

1 2 3 4 5 6 7 8

A

A

B

B

C

C

D

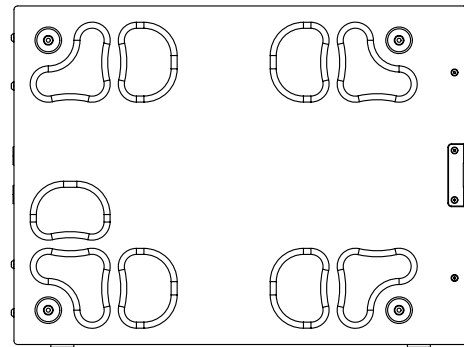
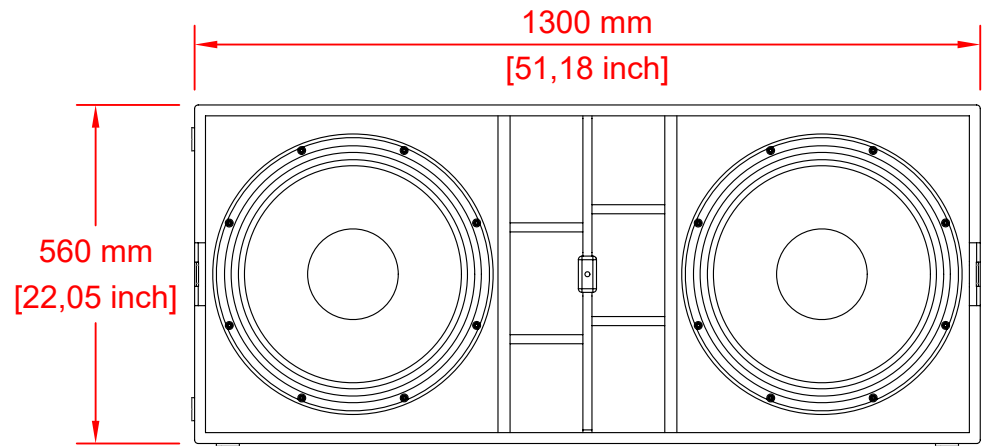
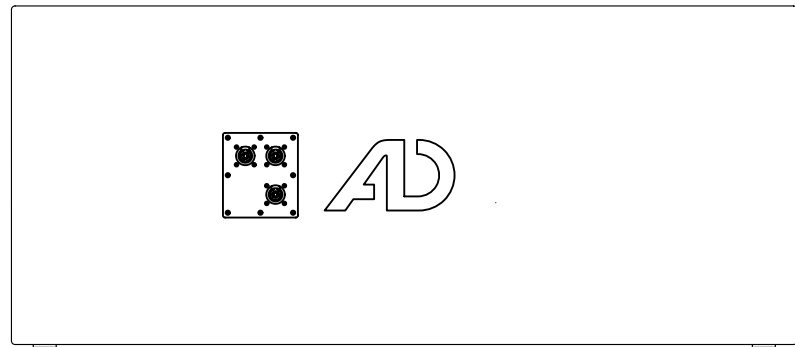
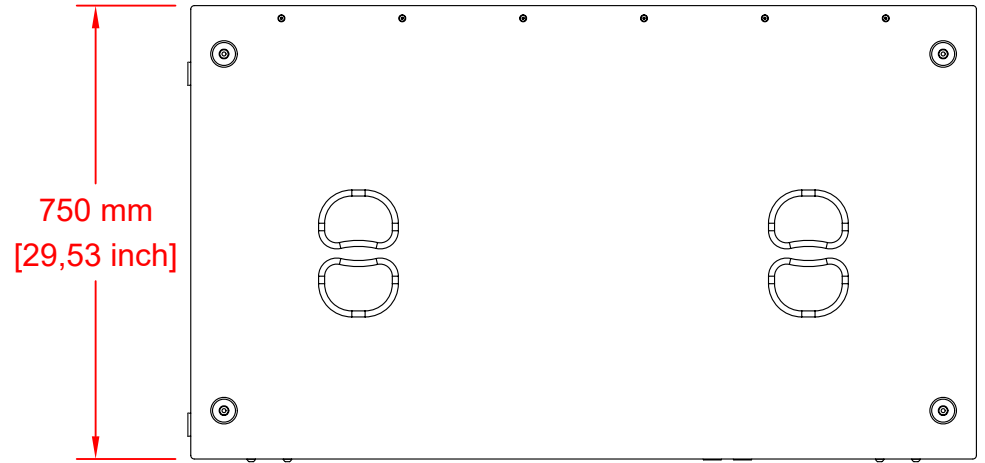
D

E

E

F

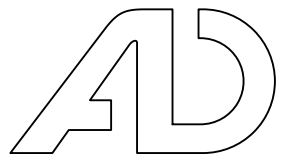
F



# Infra

FILE NAME	touringinfra.dwg
DATE	28.09.2015
DRAWN BY	S.Haferkamp
Rev.	1.0

AD-Systems GmbH & Co. KG  
 Am Schornacker 11c  
 D-46485 Wesel  
 www.ad-systems.com  
 info@ad-systems.com



1 2 3 4 5 6 7 8