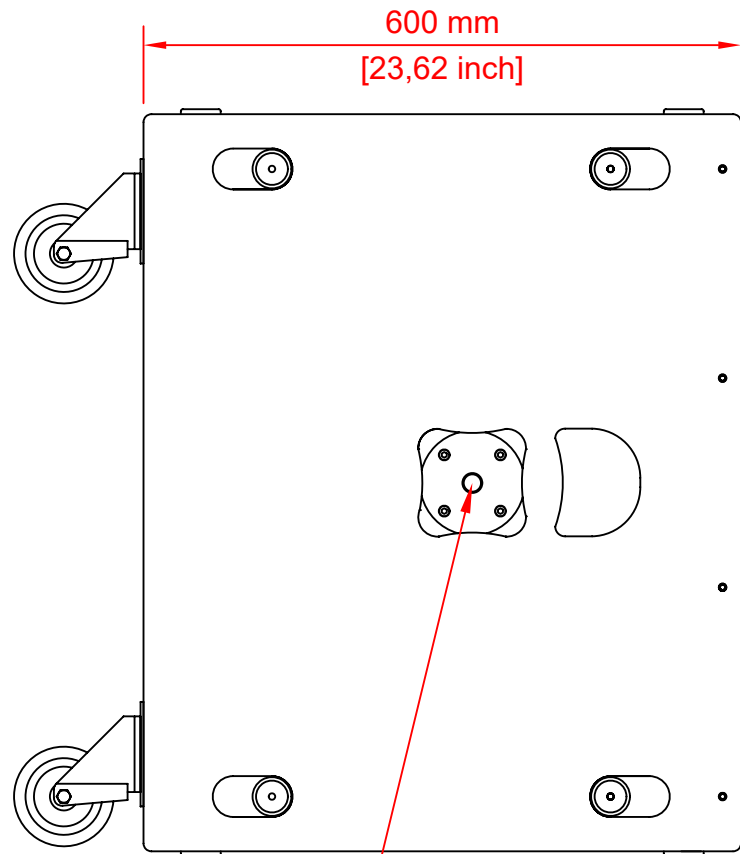
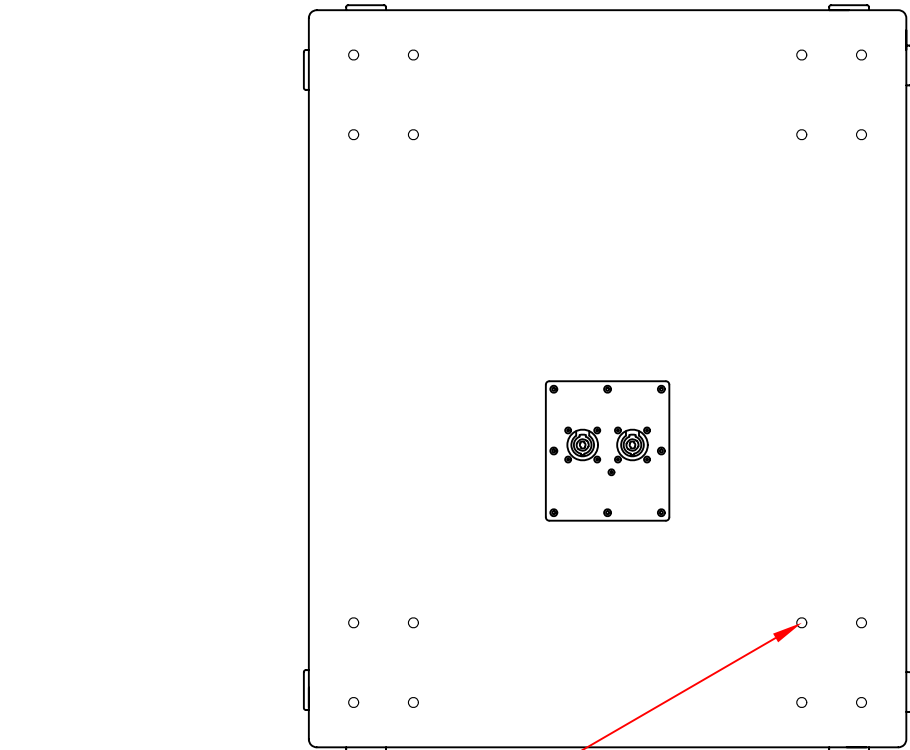


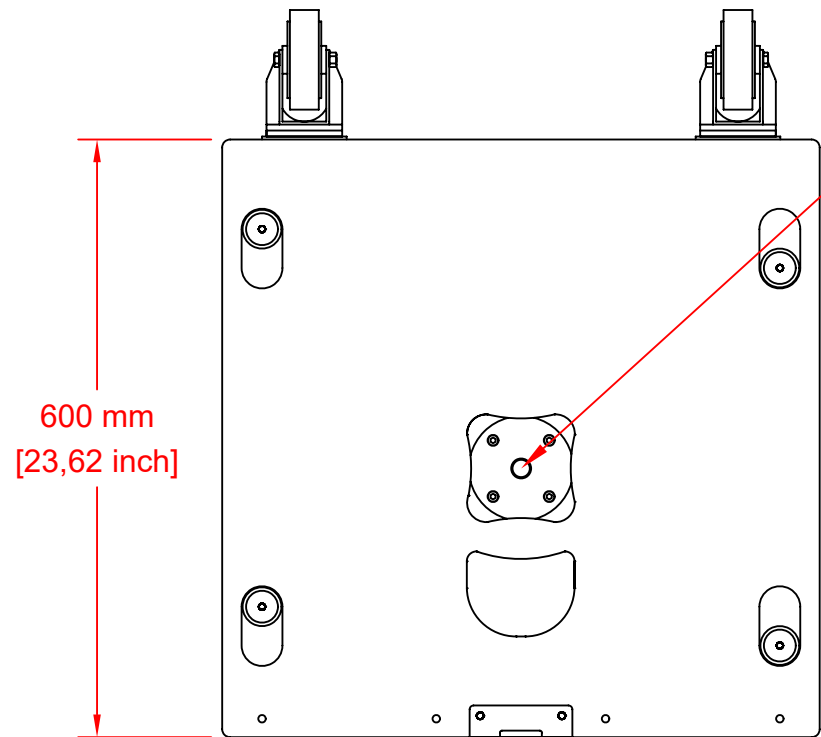
Front



Side



Rear



Top

M20 Gewinde  
M20 Polemount

screws for 100mm wheels

# Toursub

FILE NAME	toursub.dwg
DATE	02.03.2009
DRAWN BY	S.Haferkamp
Rev.	1.0

AD-Systems GmbH & Co. KG  
Am Schornacker 11c  
D-46485 Wesel  
www.ad-systems.com  
info@ad-systems.com

