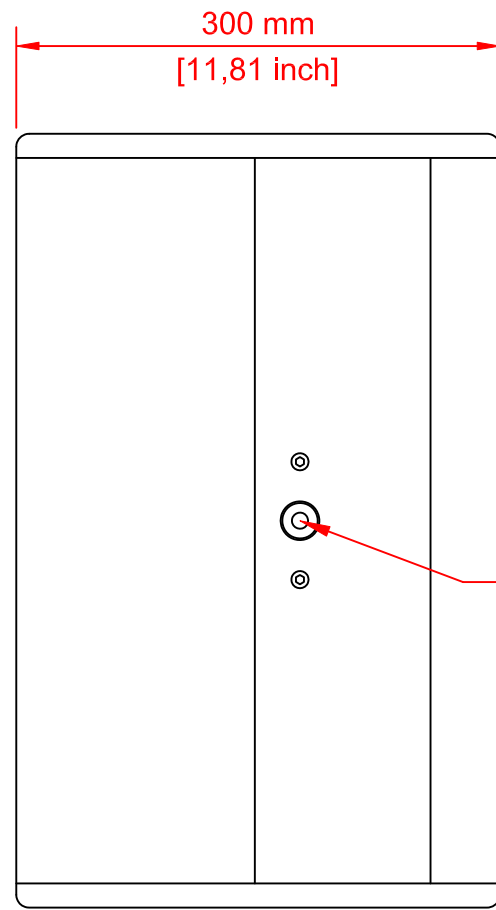
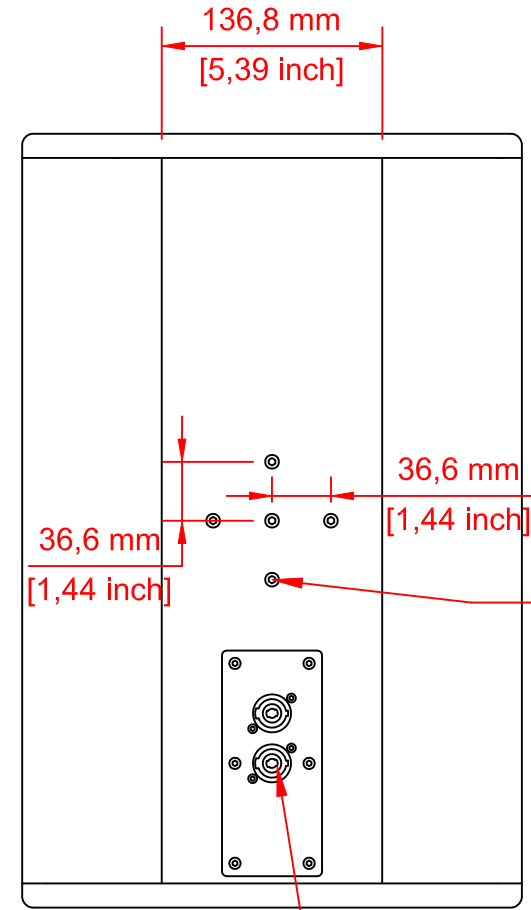


Front



Side

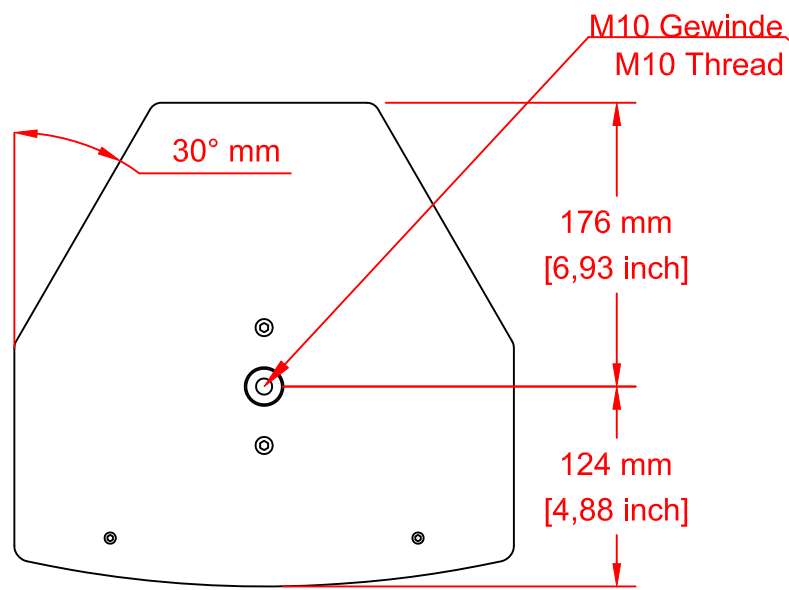
M10 Gewinde  
M10 Thread



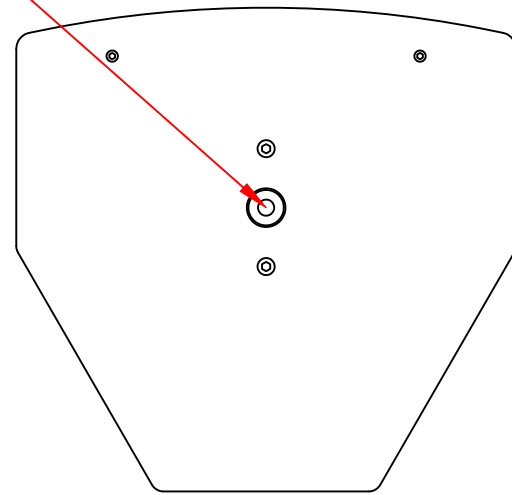
Rear

5xM6 Thread

2xNL4 on rear



Top



Bottom

# iFlex10

FILE NAME	iflex10.dwg
DATE	02.03.2009
DRAWN BY	S.Haferkamp
Rev.	1.0

AD-Systems GmbH & Co. KG  
Am Schornacker 11c  
D-46485 Wesel  
www.ad-systems.com  
info@ad-systems.com

