

1 2 3 4 5 6 7 8

A

B

C

D

E

F

A

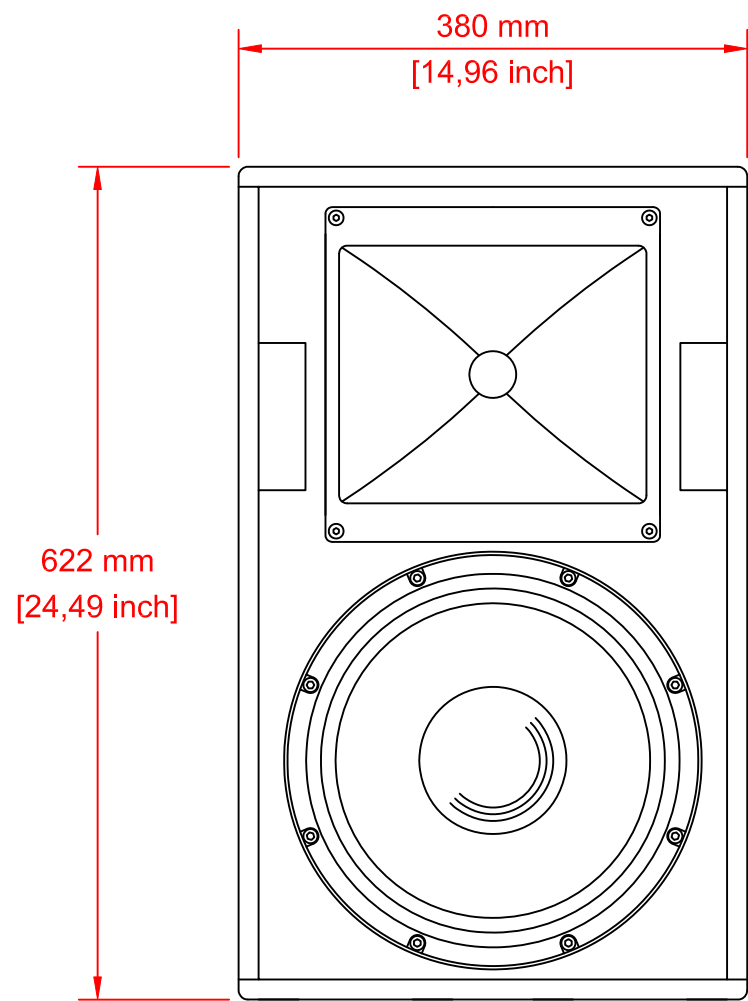
B

C

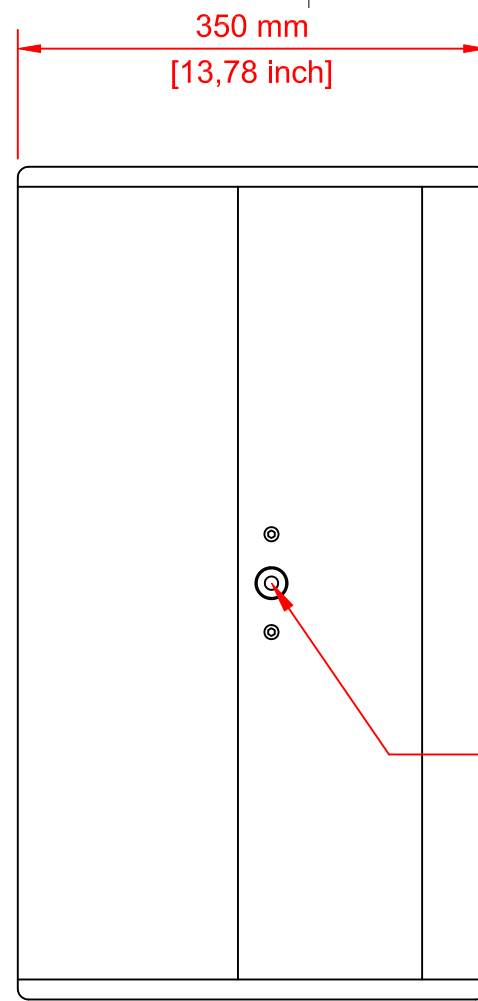
D

E

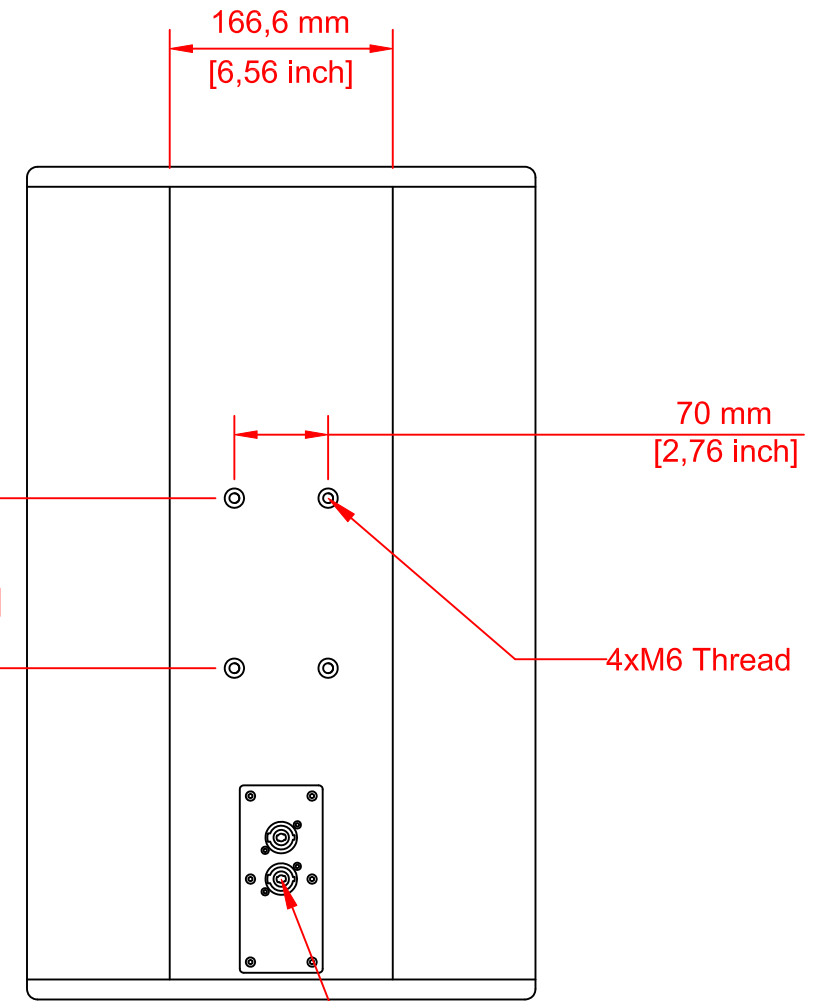
F



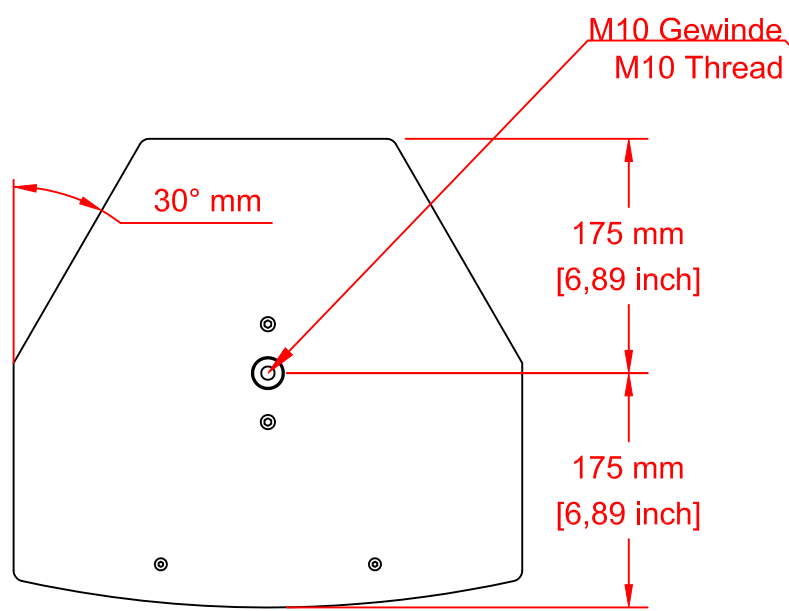
Front



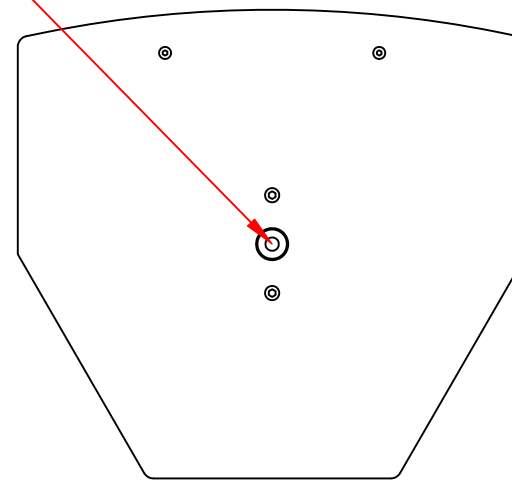
Side



Rear



Top



Bottom

iFlex12.2

FILE NAME	iflex122.dwg
DATE	17.01.2013
DRAWN BY	S.Haferkamp
Rev.	1.1

AD-Systems GmbH & Co. KG
 Am Schornacker 11c
 D-46485 Wesel
 www.ad-systems.com
 info@ad-systems.com



1 2 3 4 5 6 7 8