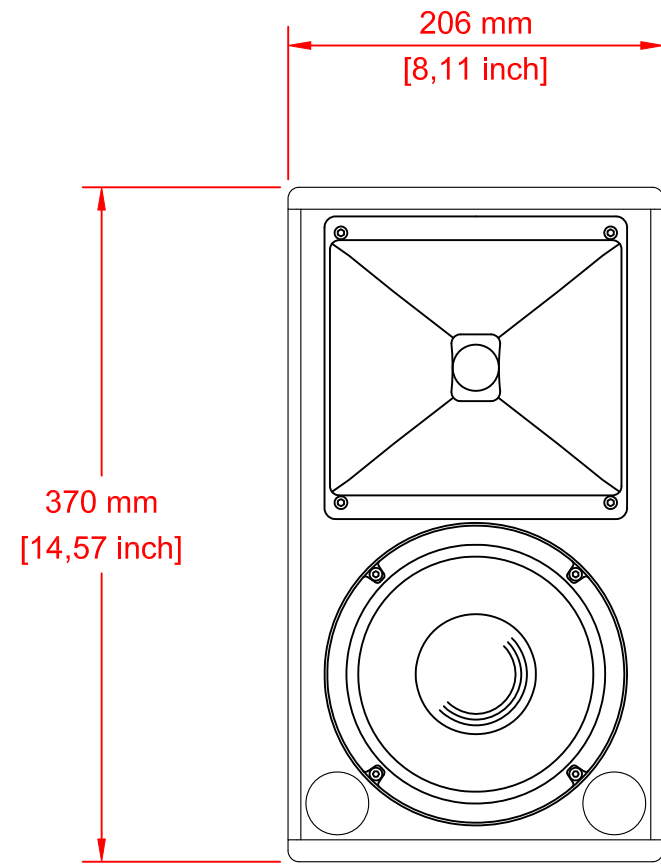
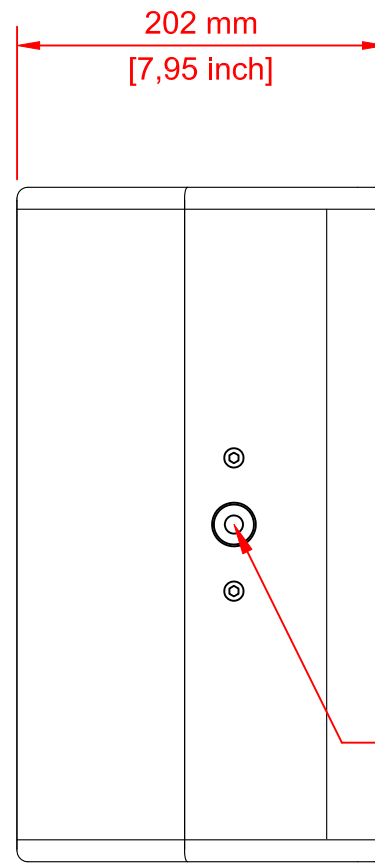


1 2 3 4 5 6 7 8

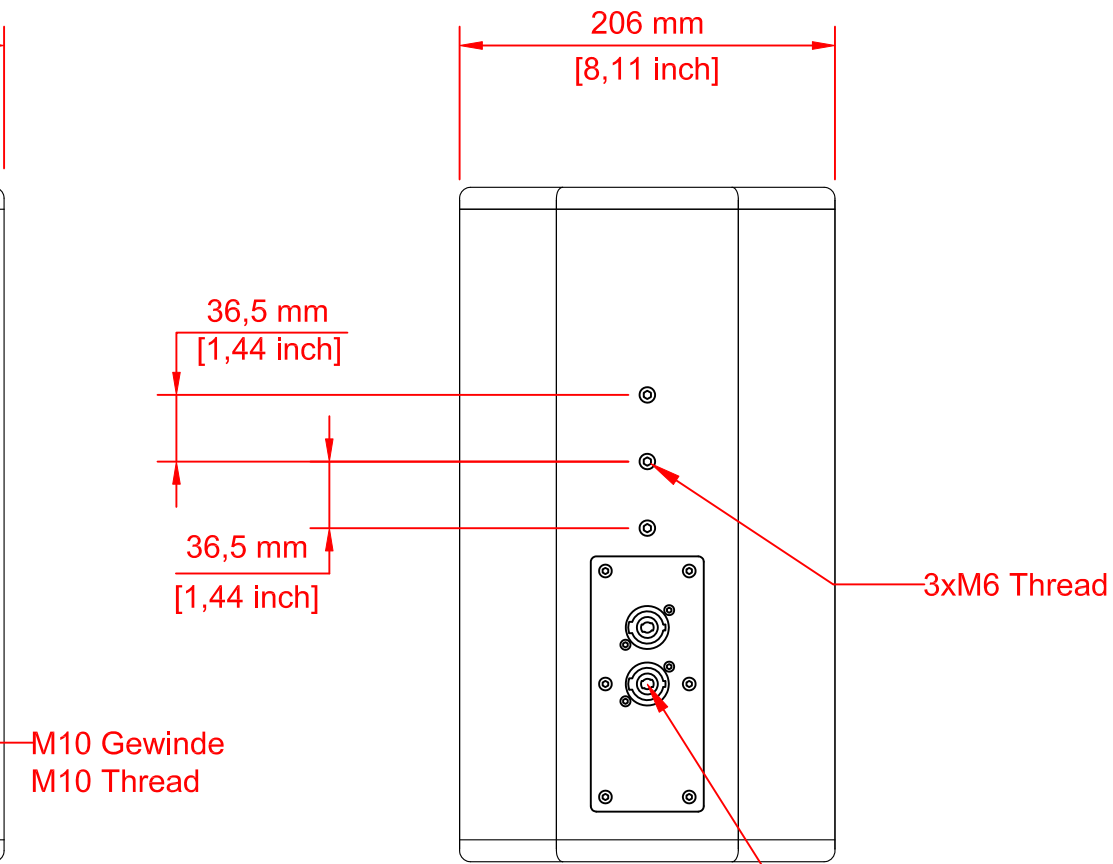
A
B
C
D
E
F



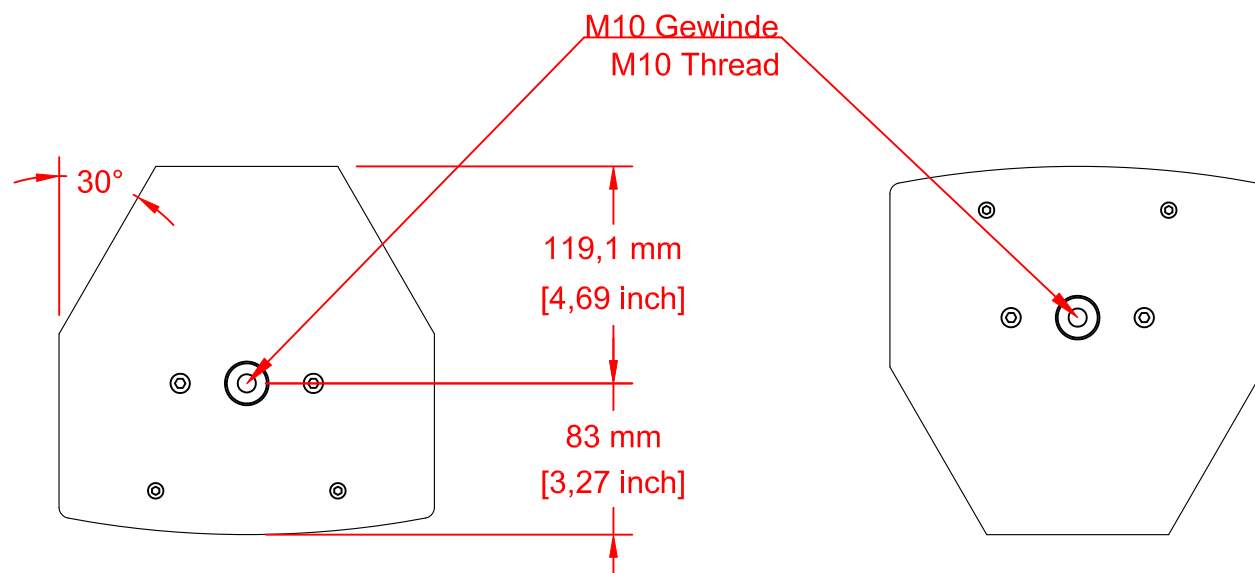
Front



Side



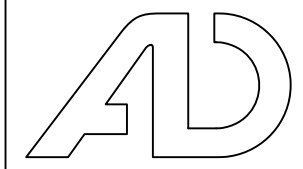
Rear



Top

Bottom

iFlex6	
FILE NAME	iflex6.dwg
DATE	23.09.2010
DRAWN BY	S.Haferkamp
Rev.	1.0
AD-Systems Audiotechnik GmbH Am Schornacker 11c D-46485 Wesel www.ad-systems.com info@ad-systems.com	



1 2 3 4 5 6 7 8