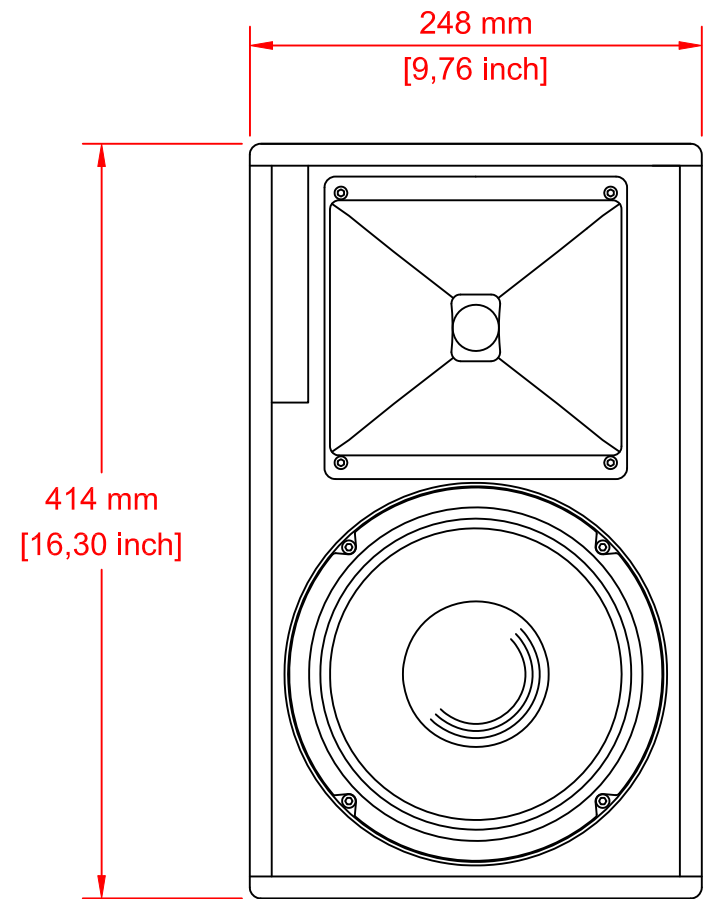
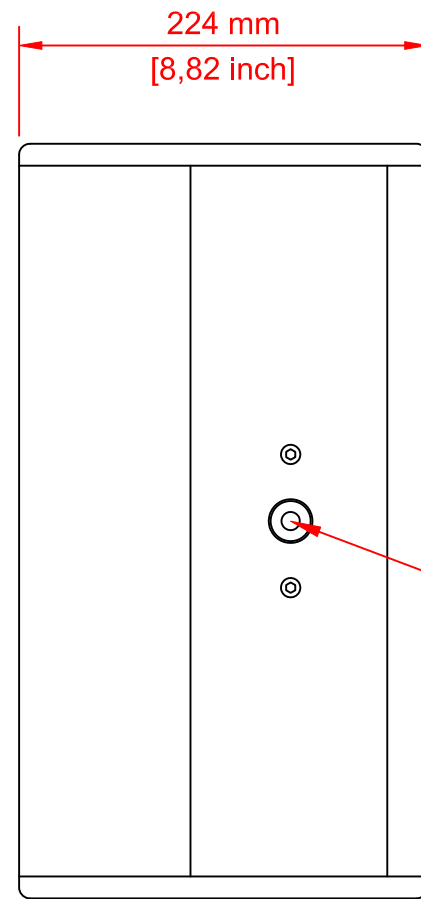


1 2 3 4 5 6 7 8

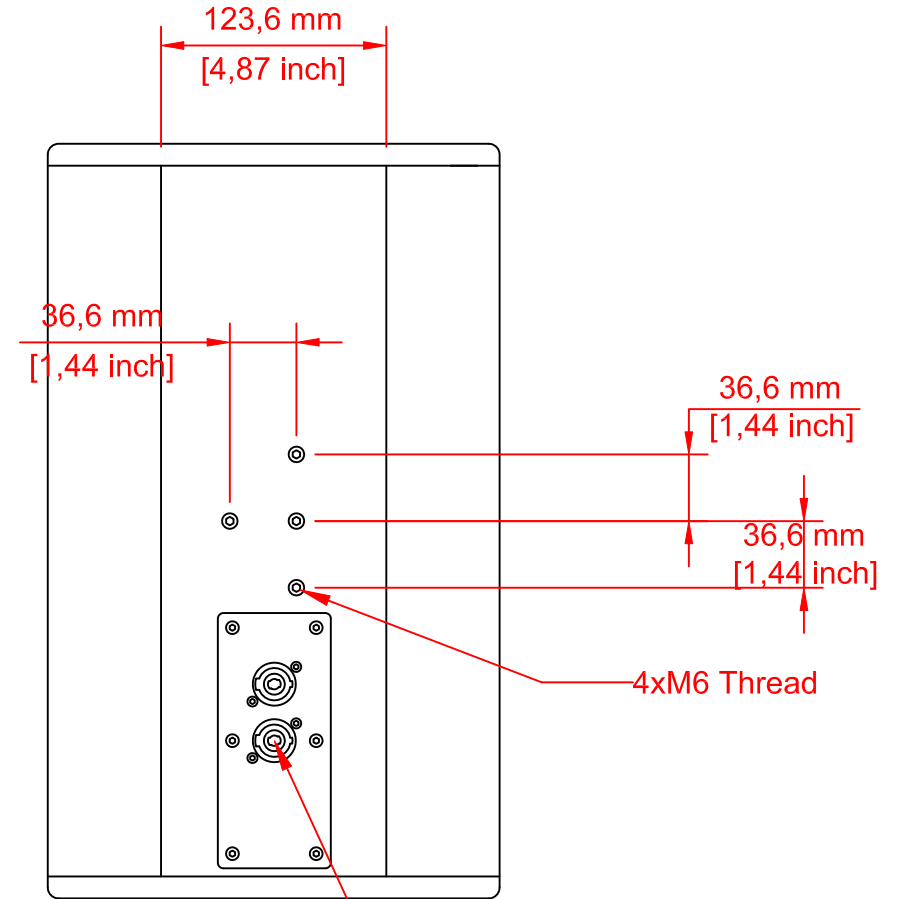
A B C D E F



Front

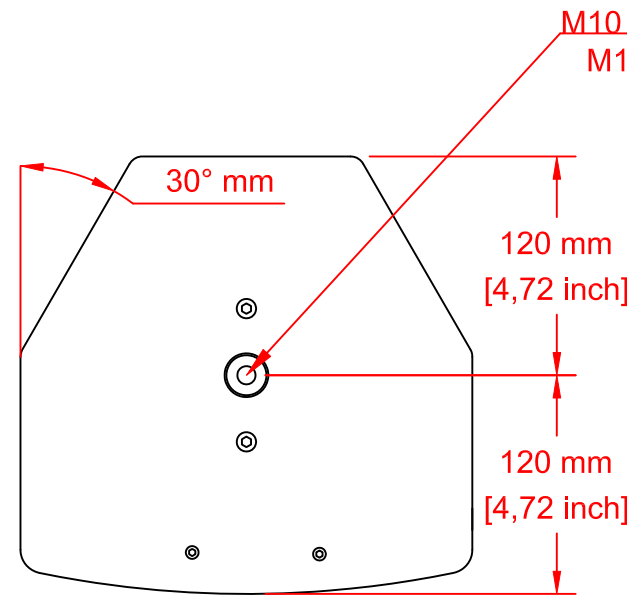


Side

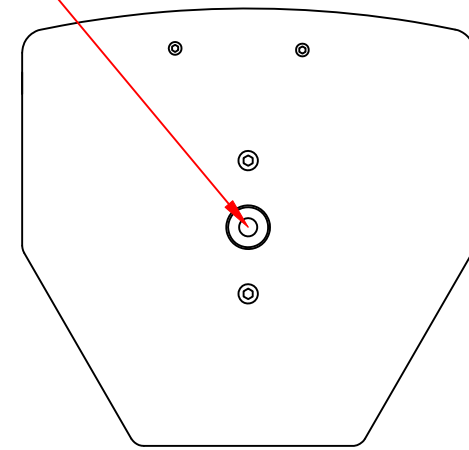


Rear

M10 Gewinde
M10 Thread



Top

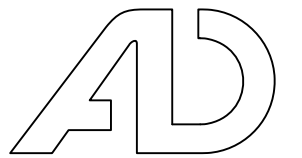


Bottom

iFlex8

FILE NAME	iflex8.dwg
DATE	02.03.2009
DRAWN BY	S.Haferkamp
Rev.	1.0

AD-Systems GmbH & Co. KG
 Am Schornacker 11c
 D-46485 Wesel
 www.ad-systems.com
 info@ad-systems.com



1 2 3 4 5 6 7 8