

Applications

- fixed installation for any kind of PA-System
- Sub- and Lo Extension for all kind of speakers

Features + Benefits

- High-power compact subwoofer
- 18" long excursion woofer
- Bass reflex tuning
- Pole mounting plate
- Max. SPL 132dB

The i.Flex18B has a powerful, low distortion long excursion woofer and features and offers natural reproduction. It necessitates the use of an external active crossover.

The enclosures are made from birch plywood and are painted impact-proof. The front is protected by a rugged grille. It is also covered with interchangeable acoustic foam.

Option: passive X-Over for i.Flex15B

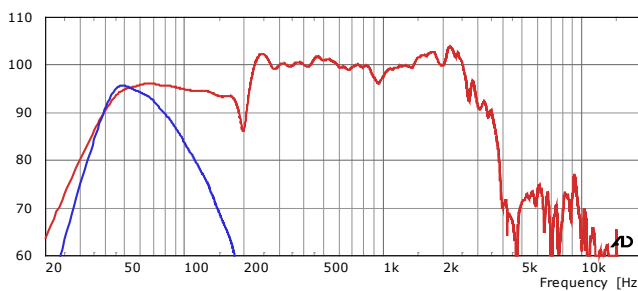


Type	i.Flex18B
Enclosure	15 mm birch plywood with structure paint
Basic layout	bass-reflex tuning
Protective Grille	1.5 mm grille, covered with acoustic foam
Components	18" long excursion woofer with 4" voice coil
Frequency Response Power handling RMS peak Nominal	38 Hz–250 Hz 800 W RMS 3.200 W Peak 8 Ω
Impedance Dispersion pattern	omnidirectional
Sensitivity	96 dB
SPLmax	132 dB peak 1m
Connectors	Neutrik Speakon NL4: 2+/2-
Dimensions (w x h x d) net weight	500 x 600 x 700 mm 38 kg
Accessories	100V transformer (ELA) special paint RAL colours

Horizontal coverage pattern

Vertical coverage pattern

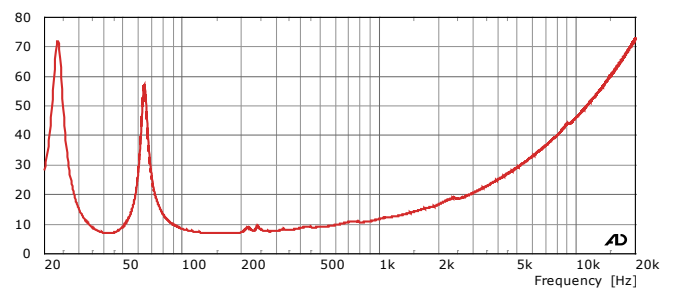
Sensitivity / Processed Sensitivity



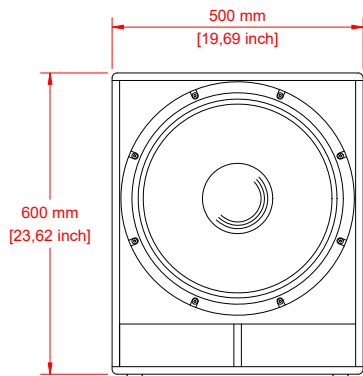
Notes on performance data and graphs:

- 2) Frequency response: Range of the processed response -6db
- 3) Power Handling: Is based on the AES power handling of the transducers.
- 4) Nominal Sensitivity: SPL at 1 Watt at nominal impedance, referenced to 1 Meter.

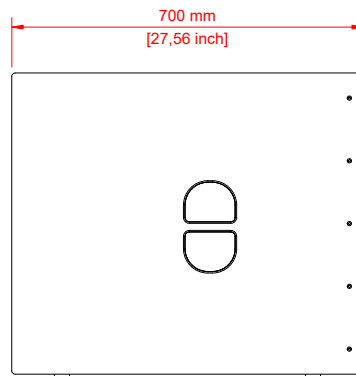
Impedance



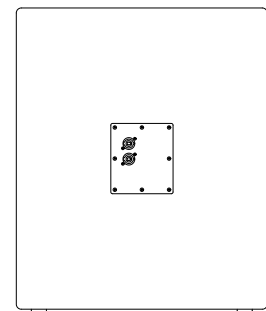
- 5) Measurement condition: Full space in the far field of the speaker. Time-windowed
- 6) Maximum SPL: Calculated from nominal sensitivity at stated peak input power.
- 7) Resolution: For better readability a 1/6 octave smoothing is applied.



Front



Side



Rear

